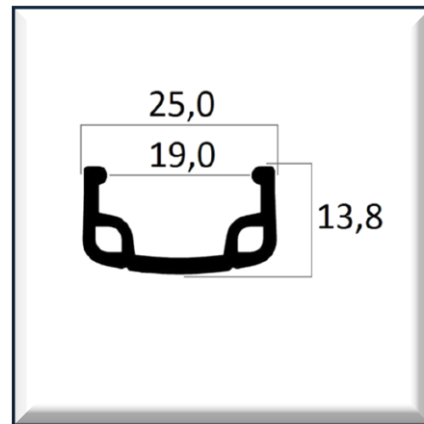


Alu E-25

Finiture	• Finishings
Naturale Grezzo	• Mill Finish
Anodizzato Argento	• Silver Anodised
Anodizzato Nero	• Black Anodised
Verniciato	• Powder Coated
Lucidato	• Polished



Misure / Sizes	E.T.R.T.O.	Fori / Holes	Peso / Weight
14x1 3/8	298 - 19	20	215 gr.
16x1 3/8	349 - 19	20	260 gr.
18x1 3/8	400 - 19	28	295 gr.
20x1 3/8 *	451 - 19	28	335 gr.
22x1 3/8 *	501 - 19	28 - 36	385 gr.
24x1 3/8 *	540 - 19	28 - 32 - 36	400 gr.
26x1 3/8	590 - 19	36	450 gr.
26x1,75	559 - 19	36 Dimpled	440 gr.
28x1,75	622 - 19	36 Dimpled	515 gr.

* Disponibili con forature speciali per applicazione su carrozzelle invalidi

* Special punchings available for wheel-chairs production